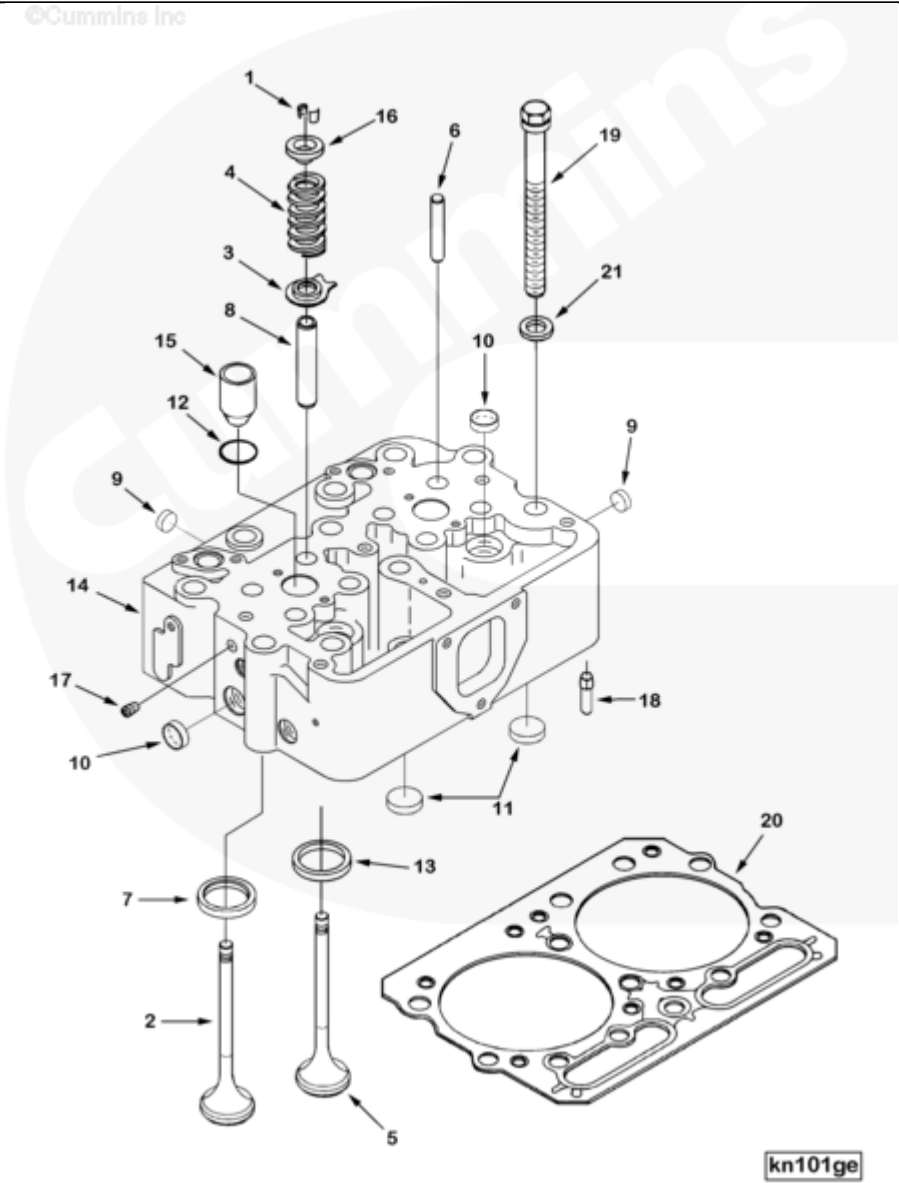




Parts Catalog - Option Detail

Electronic Parts Catalog - Option Detail				
Option	Group	Graphic	Film Card	Date
PP1703	02.01	kn101ge	F	22-DEC-83
Engines	NH/NT 855, NT495, NT743, NTA855 N106			

©Cummins Inc



kn101ge

[SMALL](#) | [MEDIUM](#) | [LARGE](#)

Cart	Ref No	Part Number	Part Description	Required	Remarks
<input type="button" value="View My Cart"/>					
		PP1703	Cylinder Head		

					Cylinder Head
					Standard cylinder head can be
					used with or without Jacobs
					brake. Cannot be used with 65
					PSI exhaust brake.
<input type="checkbox"/>		3041993	Cylinder Head	3	
<input type="checkbox"/>	1	127554	Valve Collet	16	
	2	135957	Intake Valve	4	Serviced as 3803512.
<input type="checkbox"/>	3	170296	Valve Spring Guide	8	
<input type="checkbox"/>	4	211999	Valve Spring	8	
	5	3040830	Exhaust Valve	4	
<input type="checkbox"/>		3041992	Cylinder Head	1	
<input type="checkbox"/>	6	123558	Valve Crosshead Guide	4	
<input type="checkbox"/>	7	200354	Valve Insert	4	
<input type="checkbox"/>	8	3006456	Valve Stem Guide	8	
<input type="checkbox"/>	9	3007634	Expansion Plug	3	
<input type="checkbox"/>	10	3007635	Expansion Plug	6	
<input type="checkbox"/>	11	3007636	Expansion Plug	2	
<input type="checkbox"/>	12	3007759	O-Ring Seal	2	
<input type="checkbox"/>	13	3017759	Valve Insert	4	
	14	3041991	Cylinder Head	1	
<input type="checkbox"/>	15	3070486	Injector Sleeve	2	
<input type="checkbox"/>	16	3042745	Valve Spring Guide	8	
<input type="checkbox"/>	17	S 911 B	Pipe Plug	10	1/8 NPT
<input type="checkbox"/>	18	68445	Groove Pin	6	
<input type="checkbox"/>	19	3013623	Hexagon Head Cap Screw	36	
<input type="checkbox"/>	20	3076189	Cylinder Head Gasket	3	
<input type="checkbox"/>	21	3060633	Plain Washer	36	5/8 Inch.

